



City of Richmond

March 2nd, 2011

File: 02-0775-50-4215/Vol 01

Business and Financial Services Department

Finance Division

Telephone: 604-276-4218

Fax: 604-276-4162

Attention: To All Bidders

Dear Madame/Sir:

Re: Request for Quotation 4215Q – Supply and Installation of Piles at Garry Point Park - Addendum Three (3)

This Addendum includes items of clarification; forms part of the Contract Documents and shall be read, interpreted and coordinated with all other parts. Please review and consider the following information in the preparation of your Quotations:

I. Clarification to Addendum No. Two, issued March 1st, 2011:

Please replace the following statement in A.1 of Addendum Two with the following:

The anodes are to be 36 lb zinc anodes. They are to be a hanging type of anode and either cylindrical or square bar shaped with a maximum width of three (3) inches and a length suitable to meet a weight of 36 lbs (the length will be agreed on by the Successful Bidder and the City prior to construction). The anodes shall be hung from the pile top with a steel cable allowing them to be inspected and/or changed out without the use of divers. The cable extends from the top connection to the anode. Please see the revised detail, appended to this Addendum.

Bidders must sign and include this Addendum with their submission.

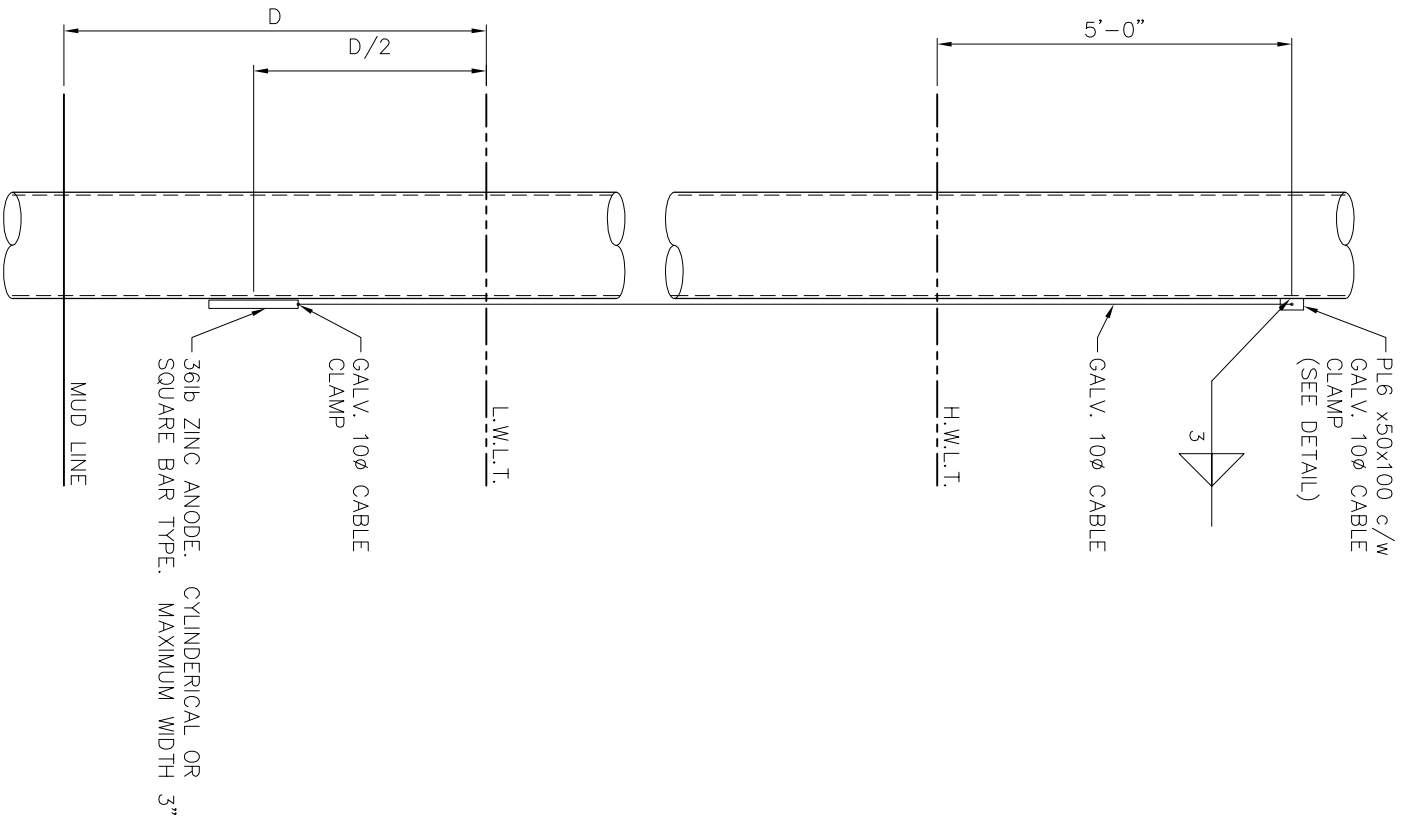
Signature, Name and Title

Yours truly,

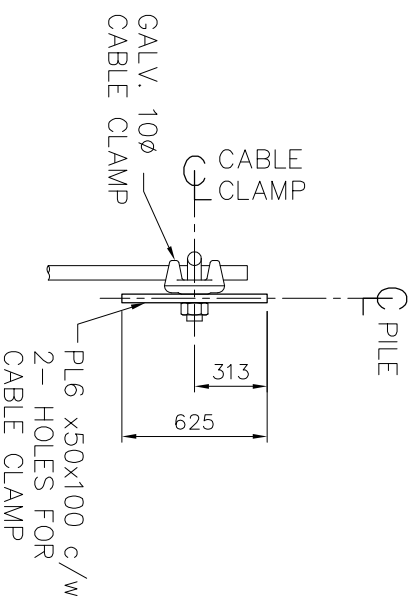
Kerry Lynne Gillis
Buyer 2

KG:kg

pc: Marcus Liu, Engineering Technologist,
Parks Division



TYPICAL FOR ALL PILES
CATHODIC PROTECTION DETAIL
 N.T.S.



CABLE CLAMP DETAIL

1:5

GARRY POINT TALL SHIP FLOATS
 PILE ANODE DETAIL
 HEL PROJECT NO. 2167-003
 REV.2 RE-ISSUED FOR ADDENDUM
 MARCH 2, 2011